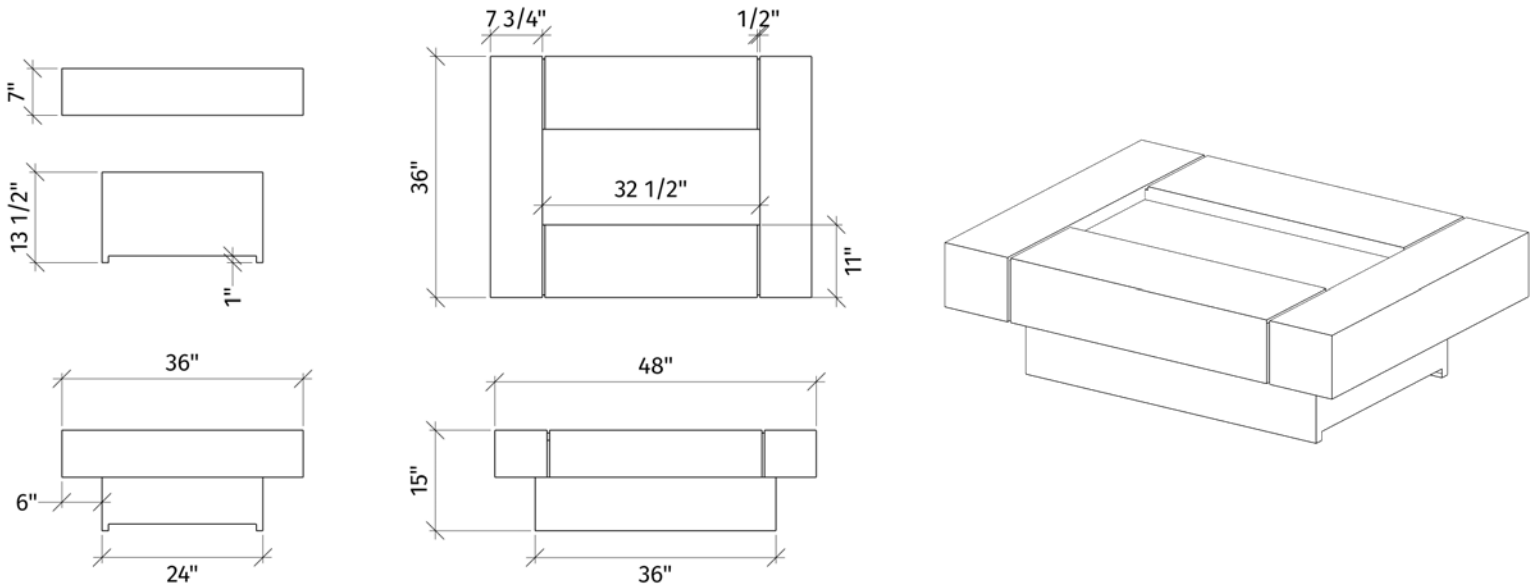


# QUADRA

-48in-



## DIMENSIONS



## COMFORTABLE LIVING



Designed to enhance outdoor entertainment areas, the highly expressive **Quadra** Firetable helps define the modern patio.

### QUADRA 48" PACKAGE INCLUDES:

- CONCRETE FIREPIT TOP
- CONCRETE FIREPIT BASE

MANUAL LIT  
NG/LP BURNER

LAVA ROCK

Firepits ship fully sealed  
Accessories available



**Dreamcast**  
design and production

Please contact us at 1-604-278-4939 with any questions. Our experienced team can assist you with product information, installation and design recommendations. We also encourage you to explore our website at [www.dreamcastfirepits.com](http://www.dreamcastfirepits.com)