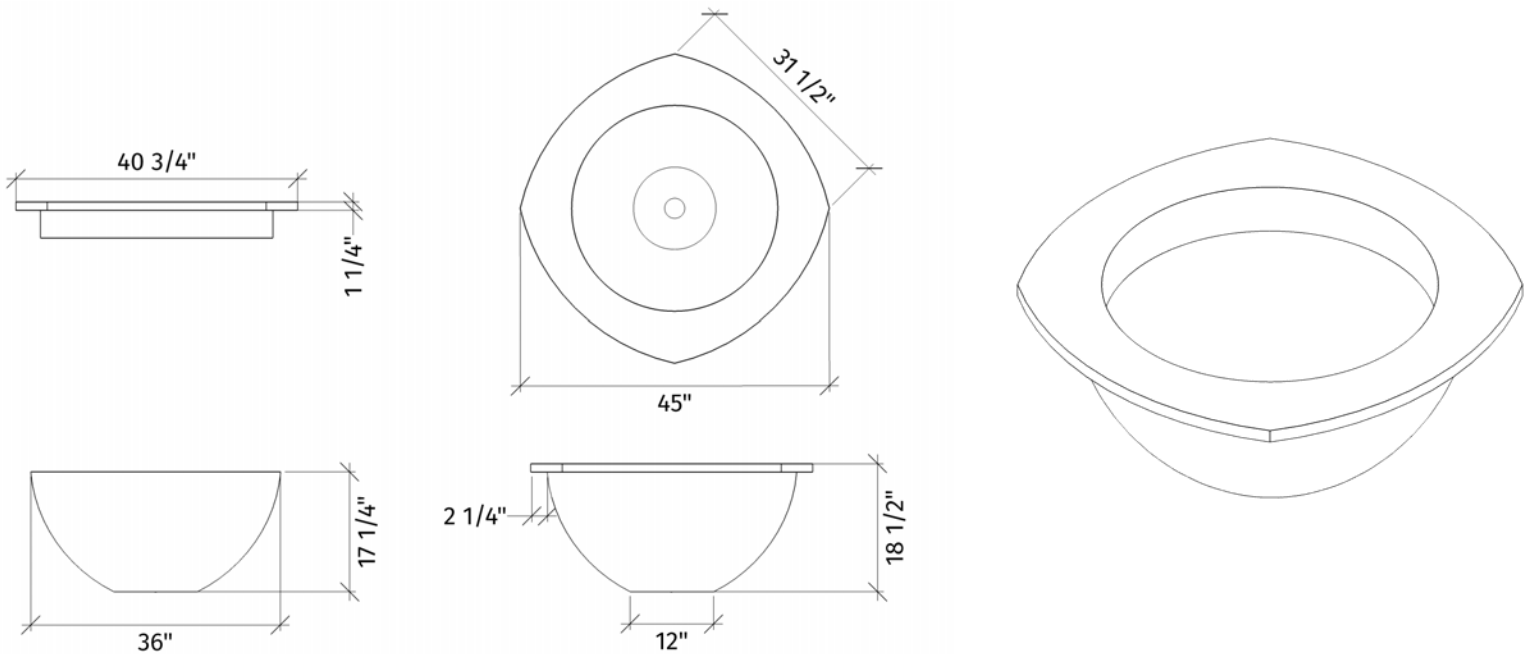


LOTUS

-45 in-



DIMENSIONS



MAXIMUM IMPACT



Our flagship firebowl, the **Lotus** creates the perfect luxurious space of fire and purpose.

The petal shaped rim draws function to the modern bowl design and enables maximum use of space.

LOTUS 45"
PACKAGE INCLUDES:

CONCRETE FIREPIT TOP
CONCRETE FIREPIT BASE

MANUAL LIT
NG/LP BURNER

LAVA ROCK

Firepits ship fully sealed
Accessories available



Dreamcast
design and production

Please contact us at 1-604-278-4939 with any questions. Our experienced team can assist you with product information, installation and design recommendations. We also encourage you to explore our website at www.dreamcastfirepits.com