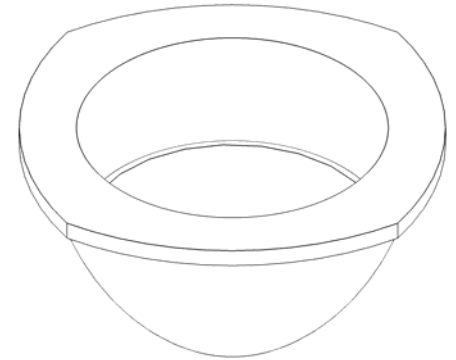
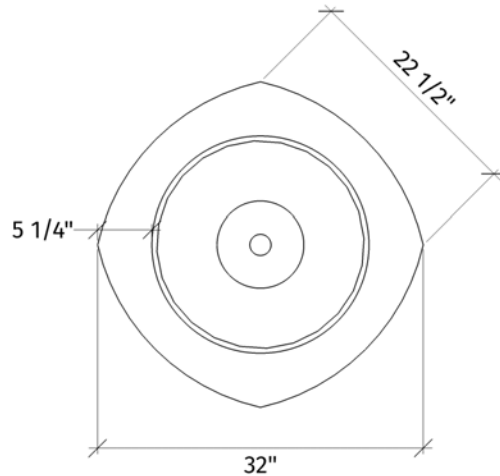
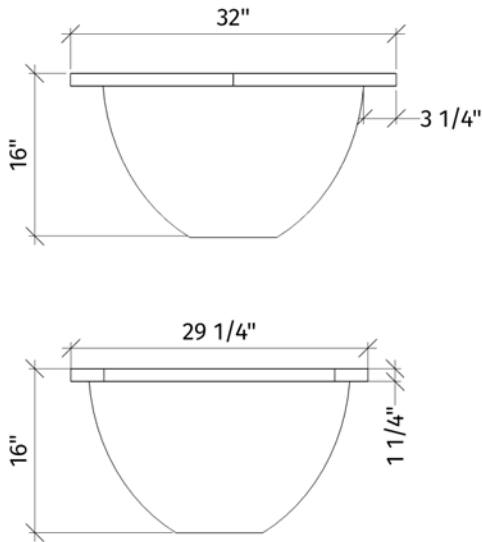


LOTUS

-32 in-



DIMENSIONS



EFFECTIVE CHOICE



Simplicity at its finest is found with the **Lotus** firebowl.

The petal shaped rim draws function to the modern bowl design and enables maximum use of space.

LOTUS 32"
PACKAGE INCLUDES:

CONCRETE FIREPIT

MANUAL LIT
NG/LP BURNER

LAVA ROCK

Firepits ship fully sealed
Accessories available



Dreamcast
design and production

Please contact us at 1-604-278-4939 with any questions. Our experienced team can assist you with product information, installation and design recommendations. We also encourage you to explore our website at www.dreamcastfirepits.com