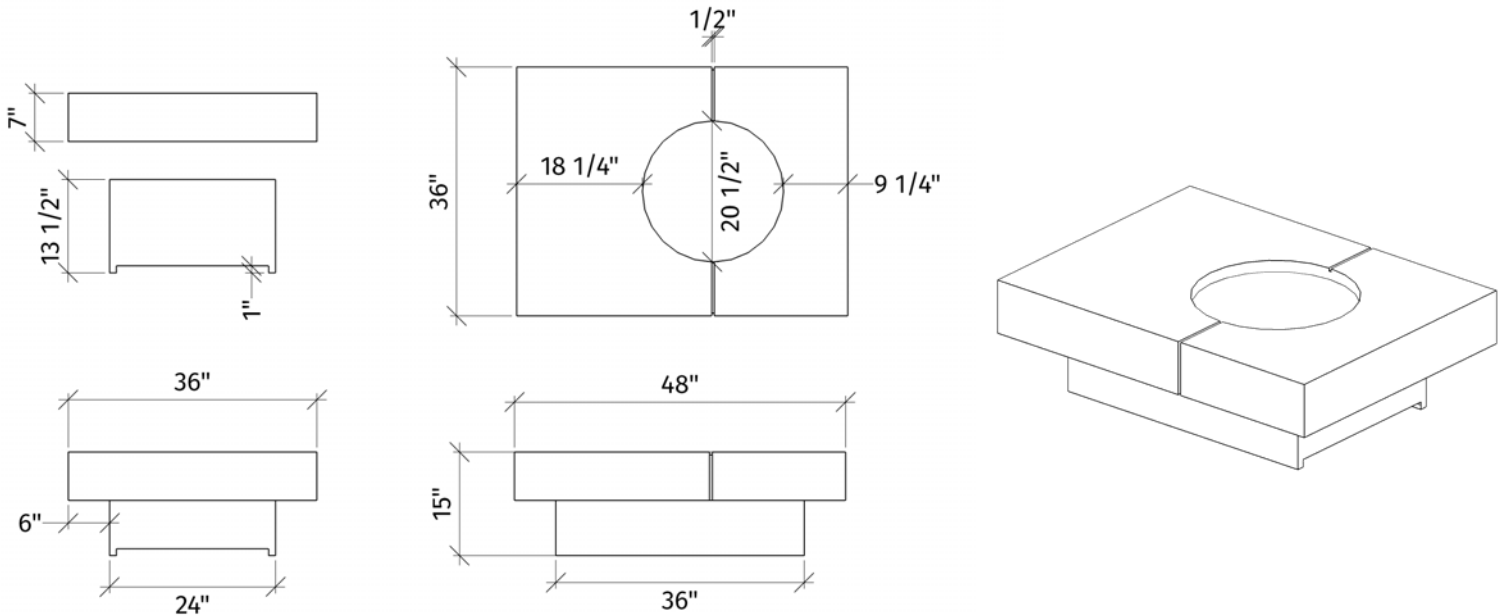


# LIBRA



## DIMENSIONS



## CONTEMPORARY DESIGN



The **Libra** fire table provides ample table space and cozy ambience with a full campfire flame.

From family events to sunset moments, it forms the perfect gathering area.

### LIBRA

#### PACKAGE INCLUDES:

CONCRETE FIREPIT TOP  
CONCRETE FIREPIT BASE

MANUAL LIT  
NG/LP BURNER

LAVA ROCK

Firepits ship fully sealed  
Accessories available



**Dreamcast**  
design and production

Please contact us at 1-604-278-4939 with any questions. Our experienced team can assist you with product information, installation and design recommendations. We also encourage you to explore our website at [www.dreamcastfirepits.com](http://www.dreamcastfirepits.com)