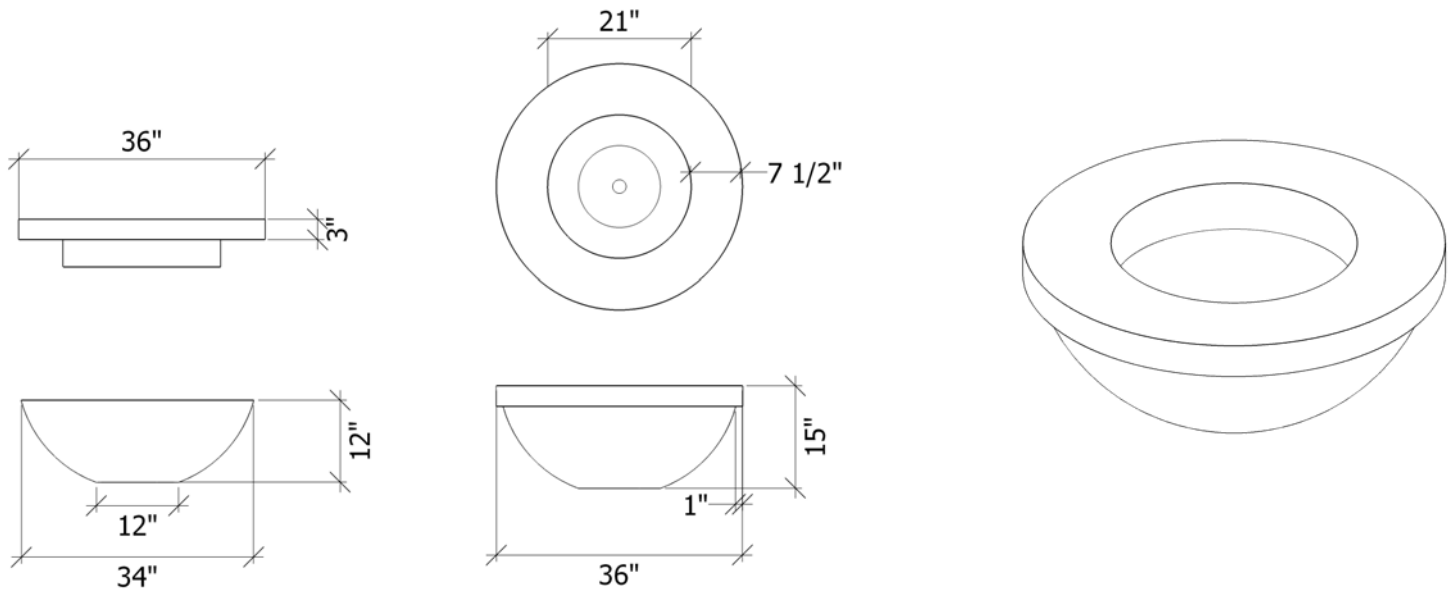


AURA



DIMENSIONS



PASSION FOR PERFECTION



Enjoy the setting of the **Aura** firebowl.

A combination of practicality and aesthetics.

AURA

PACKAGE INCLUDES:

CONCRETE FIREPIT TOP

CONCRETE FIREPIT BASE

MANUAL LIT
NG/LP BURNER

LAVA ROCK

Firepits ship fully sealed
Accessories available



Dreamcast
design and production

Please contact us at 1-604-278-4939 with any questions. Our experienced team can assist you with product information, installation and design recommendations. We also encourage you to explore our website at www.dreamcastfirepits.com